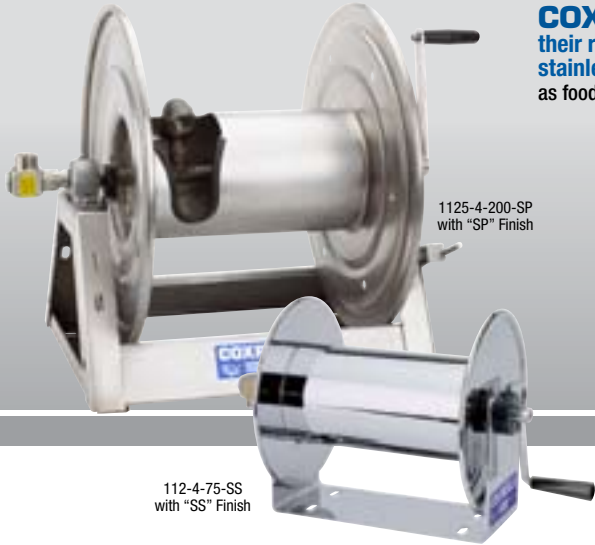


SS 100, 1125 & 1175 SERIES STAINLESS STEEL HAND CRANK & MOTORIZED HOSE REELS



COXREELS® SS Series "Stainless Steel" hand crank hose reels have similar features to their related series, but are constructed of high quality electro-polished stainless steel with stainless steel fluid paths. They offer clean, non-corrosive performance in applications that require it, such as food and chemical processing, marinas, and anywhere that rust, corrosion and contamination thrive.

SS 100 SERIES - Hand Crank

LESS HOSE						SIZE INDEX
MODEL	I.D. mm	O.D. mm	LENGTH m	BAR	Kg.	
112-4-75-SS	13	22	23	276	10	1
117-4-225-SS	13	22	69	276	14	2
117-5-100-SS	19	32	30	276	16	3

SS100 Series is only available in SS finish

SS 1125 SERIES - Hand Crank & Motor Driven

LESS HOSE									SIZE INDEX	
MODEL	STANDARD CAP			OPTIONAL CAP. Reducer required			INLET SWIVEL & OUTLET RISER	BAR		Kg.
	I.D. mm	O.D. mm	LENGTH m	I.D. mm	O.D. mm	LENGTH m				
1125-4-100-X	13	22	30	10	19	43	13 mm F NPT	207	16	4
1125-4-200-X	13	22	61	10	19	91	13 mm F NPT	207	18	5
1125-5-100-X	19	32	30	13	22	61	19 mm F NPT	207	19	6
1125-5-200-X	19	32	61	13	22	137	19 mm F NPT	207	25	7

Designate either SP or SS for choice of finish

SS 1175 SERIES - Hand Crank & Motor Driven

LESS HOSE									SIZE INDEX	
MODEL	STANDARD CAP			OPTIONAL CAP. Reducer required			INLET SWIVEL & OUTLET RISER	BAR		Kg.
	I.D. mm	O.D. mm	LENGTH m	I.D. mm	O.D. mm	LENGTH m				
1175-6-100-X	25	36	30	19	32	46	25 mm F NPT	207	32	8
1175-6-200-X	25	36	61	19	32	91	25 mm F NPT	207	38	9

Designate either SP or SS for choice of finish

MOTOR OPTIONS

When ordering, suffix the model number with selection below. *Add 2 Kg to ship weight if reel is crated

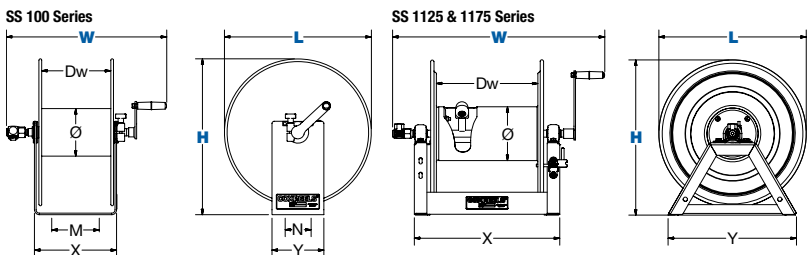
SUFFIX	TYPE	DESCRIPTION	ADD ON APRX. Kg.*
A	AIR - #4 GAST	COMP. AIR MOTOR	4
E	ELEC. - 12V DC	1/3 HP REV. REV. TYPE	6
EB	ELEC. - 24V DC	1/2 HP REV. REV. TYPE	12
ED	ELEC. - EXPL. PRF. - 12V DC	1/2 HP REV. REV. TYPE	12
EA	ELEC. - EXPL. PRF.	115V 1/2 HP REV., AC REV. TYPE	12
H	HYDRAULIC	END PORTED 9/16-18 UNF REV.	3
C	FRONT HAND CRANK	BEVEL GEARED CRANK	1

REEL DIMENSIONS

Technical Data Sheets Available On Website

SIZE INDEX	W mm				H mm		L mm	X mm	Y mm		Ø mm	Dw mm
	CRANK	ELEC.	AIR / HYD.	CRANK	ELEC.	CRANK			ELEC.			
										CRANK		
1	578	-	-	330	-	305	356	152	-	140	318	
2	578	-	-	457	-	432	356	152	-	140	318	
3	591	-	-	457	-	432	356	152	-	140	318	
4	495	502	432	476	489	448	289	391	406	159	152	
5	648	654	584	476	489	448	441	391	406	159	305	
6	679	660	594	476	489	448	441	391	406	159	305	
7	984	965	899	476	489	448	746	391	406	159	610	
8	714	660	622	664	664	610	432	511	511	267	292	
9	930	876	838	664	664	610	648	511	511	267	508	

Overall Dimensions - Base - Drum



SS SERIES - HAND CRANK/ MOTORIZED:: REEL SPECIFICATIONS

SWIVEL

- Non-corrosive external fluid path with machined from high quality stainless steel 90° full-flow NPT swivel inlet
- Swivel Seals: NITRILE Non-Toxic Food Grade Grease

DESIGN & STRUCTURE

- Choice of stainless steel finish includes:
 - "SP" Standard unpolished "as manufactured" stainless steel finish
 - "SS" Electro-polished stainless steel finish
- Each of these reels is built of their standard series with their own unique features & benefits

RETRACTION

- See page 36 for 100 Series features
- See page 40 for 1125 Series features
- See page 41 for 1175 Series features

SIGNATURE FEATURES

- Professional grade heavy duty steel construction
- Durable proprietary CPC™ powder coat process
- Rolled edges & ribbed discs provide strength & safety
- Leading 2-year manufacturer's limited warranty
- Made in the U.S.A. - Sold & Supported Worldwide

POSSIBLE FIELDS OF APPLICATION

- Corrosive Environments
- Hygienic Environments
- Fire Suppression
- Medical Services
- Marine/Docks/Offshore
- Manufacturing Plants & Facilities
- Pulp & Paper Plants
- Food & Chemical Processing Plants
- Bottling Plants
- Dairies
- Meat Packing
- Grocery Stores
- Restaurants & Commercial Kitchens
- Water Treatment & Supply
- Petrochemical
- Food Grade Washdown

ACCESSORIZE YOUR REEL :: PG 50

- O-Rings & Swivels
- Roller Brackets
- Stacking Brackets
- Hoses
- Assorted Reel Accessories

